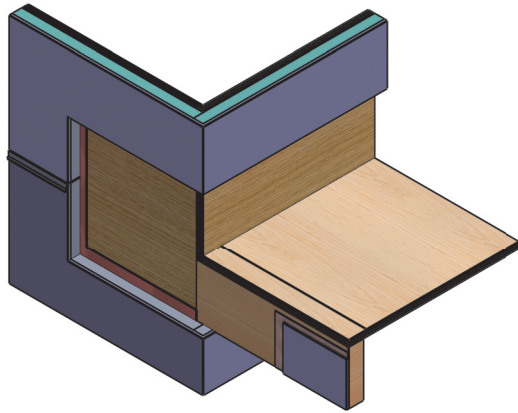
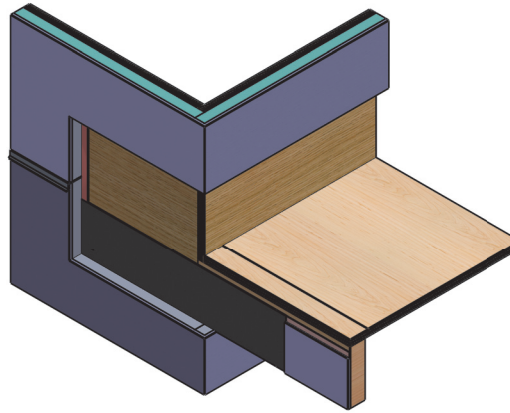


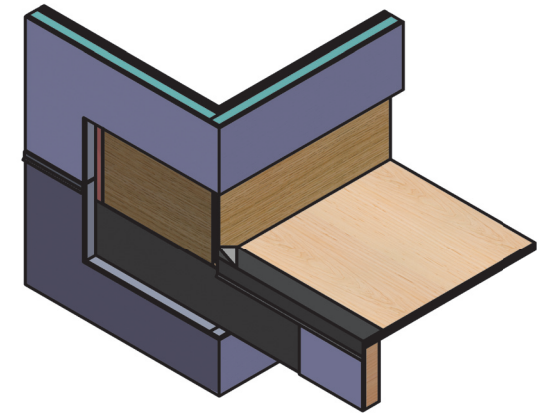
## Wall Saddle Detail



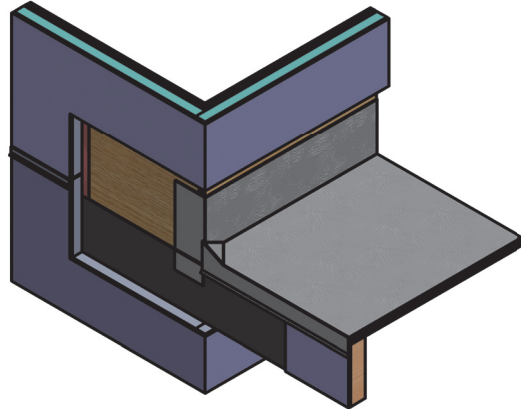
1. Remove 12" minimum of existing EIFS.
2. Install new plywood sheathing c/w blocking for slope.



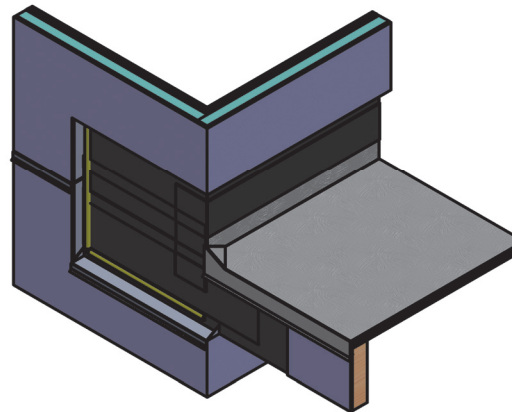
3. Install new butyl S.A.M.



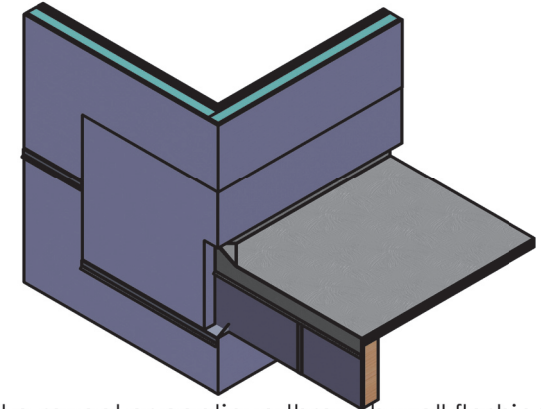
4. Install new PVC coated drip edge flashing.
5. Install diverter.



6. Install new vinyl balcony membrane.



7. Install new pre-finished metal flashing c/w end dams.
8. Install butyl S.A.M. onto vinyl balcony membrane and new metal flashing.
9. Seal new butyl S.A.M. with mastic.



10. Install a reveal or continue through-wall flashing where color change occurs between either side of existing through-wall flashing.
11. Install new EIFS (Color and texture to match existing adjacent.)
12. Install new aluminum fascia to match existing.
13. Install sealant between existing to new fascia interface.

**ONDEK**  
VINYL WORX

Info@ondekvinylworx.com  
604-625-1159 Phone  
604-625-1194 Fax  
1-866-96ONDEK(966-6335) Toll Free  
ondekvinylworx.com  
Unit 101 - 26730 - 56th Ave  
Aldergrove, BC V4W 3X5 Canada

Date: Mar 15, 2020  
System: Fully adhered  
Project: Training  
Drawing #: OD - 124

Note: As a supplier of finished product only, ONDEK Vinyl Worx Inc. does not assume responsibility for errors in design, engineering, or dimension. The architect, engineer, specifier, contractor, or representative must verify all dimensions, sizes & suitability of details.