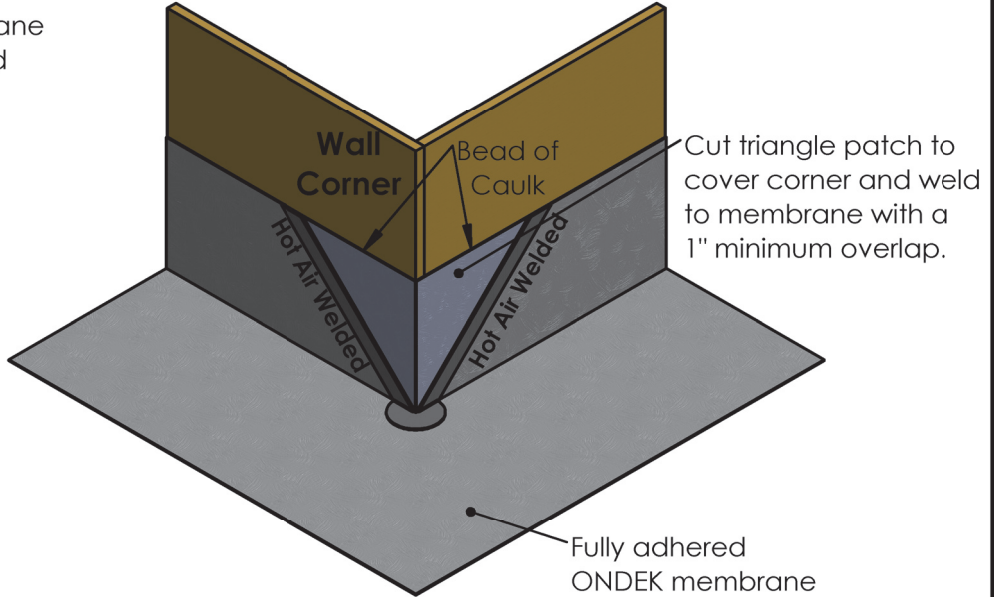
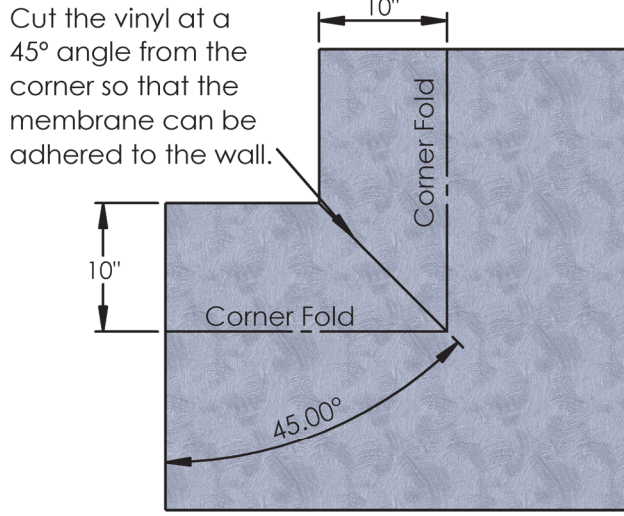
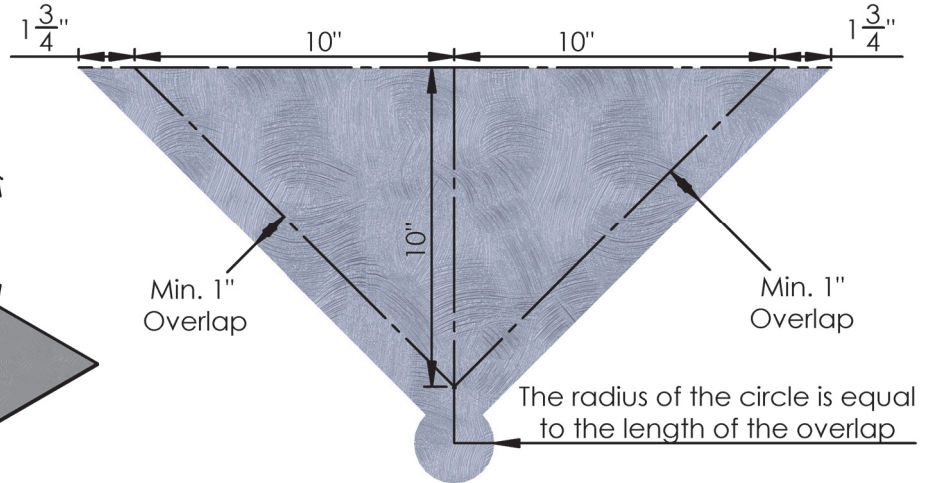
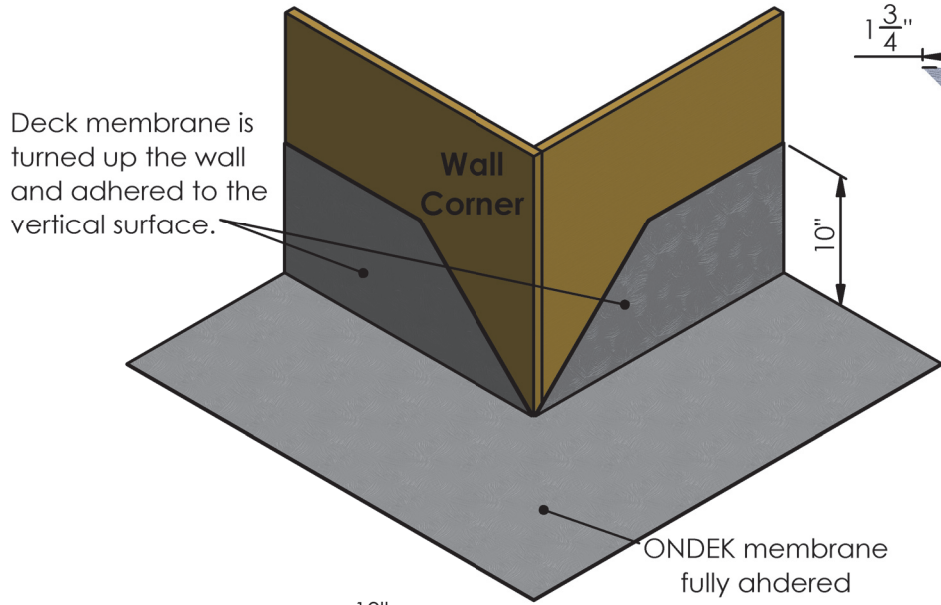


Outside Corner Membrane Detail



ONDEK
VINYL WORX

info@ondevinylworx.com
604-625-1159 Phone
604-625-1194 Fax
1-866-96ONDEK(966-6335) Toll Free
ondevinylworx.com
Unit 101 - 26730 - 56th Ave
Aldergrove, BC V4W 3X5 Canada

Date: Mar 15, 2020
System: Fully adhered
Project: Training
Drawing #: OD - 103

Note: As a supplier of finished product only, ONDEK Vinyl Worx Inc. does not assume responsibility for errors in design, engineering, or dimension. The architect, engineer, specifier, contractor, or representative must verify all dimensions, sizes & suitability of details.